

SMP 70 PR Technical Data

GENERAL INFORMATION	
Max flow rate	500 m3/h
UVC transmittance	97%- 1 cm
UV dose	800 J/m2
Water Temperature range	5-50° C
Total consumption	7.7 kW
Mounting	Horizontal or vertical with lamp in horizontal position

UV REACTOR	
Material	Stainless Steel 316L
Connections	Flange DN 300 PN 10
Drain/Air Valve	1/8" 1/2" M thread
Total Volume	68 l
Total weight	55 kg
Max working pressure	10 bars g
Protection class	IP 65
Shape	Cross flow
Flow direction	Both directions
Cleaning system	Optional
Quartz sleeve cleaning system	Yes
Manual	standard
Automatic	Available (RA version)

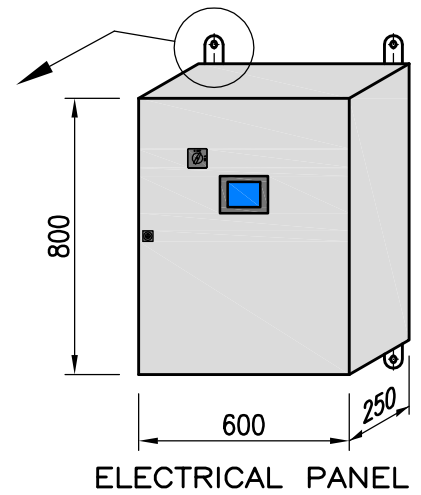
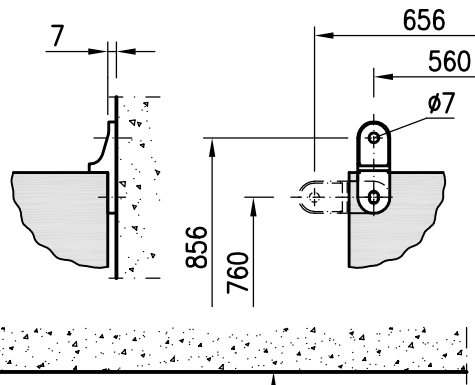
UV LAMP	
Number	2
Lifespan	10000 hr
Lamp power	3500W
Type	MP lamp type

UV SENSOR	
Type	UVC selective sensor type MP1128S
Sensor Cable	Shielded cable 10 meters
Sensor holder material	Stainless steel 316L

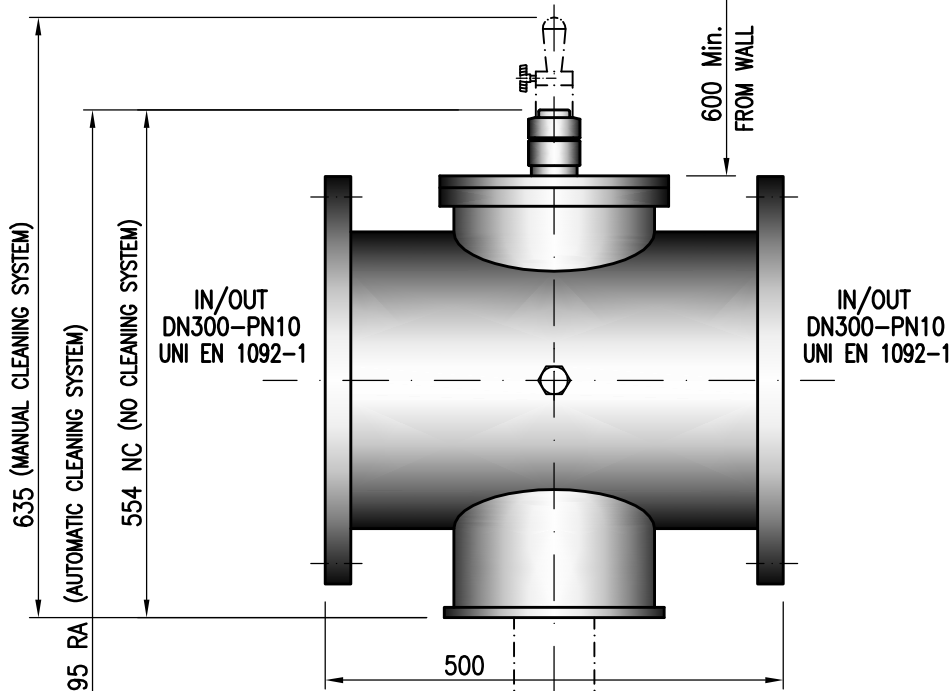
CONTROL PANEL		TC PLUS	
Material and colour		Painted Steel – RAL 7035	
Protection class		IP 54	
Ambient temperature range		5 – 45 °C	
Rel. humidity		20-95% non-condensing (condensing on request)	
Power supply		400 V 3ph+N - 50/60 Hz (other on request)	
Lamp cable length		6 m	
Monitor display		SITA Touch-Screen (65000 colours)	
Multi language display		Yes	
Chamber temperature measurement		Yes (°C)	
UV irradiance measurement		Yes (% or W/m ²)	
Panel temperature measurement		Yes (°C)	
Flow-meter connection		Yes 4/20 mA	
UVT reader connection		Yes 4/20 mA	
UV dose calculation		Optional (only with external flow meter)	
Hour meters		For total system life – Resettable for lamp life control	
Free contact alarms (N/O)		Yes (max 1.3 A)	
	General alarm	Yes (settable contact working)	
	System working signal	Yes	
	High temperature alarm	Yes for panel and reactor (shut off for high temperature)	
24 V output		Yes	
	Low irradiance alarm	Yes (settable value)	
	Lamps off alarm	Yes	
	Lamps control on/off	Yes	
4/20 mA output		Yes for irradiance and temperature	
Remote ON/OFF		Yes (settable contact working)	
ON/OFF timer		Yes	
Datalog – Events		Yes	
Lamp power regulation		Yes (manual or automatic: dose or flow pacing)	
Communication ports (protocols)		CAN, Ethernet, USB, Seriale (Modbus, TCP/IP, CANopen)	
Remote access		with specific App or WebGate	

NOTE:

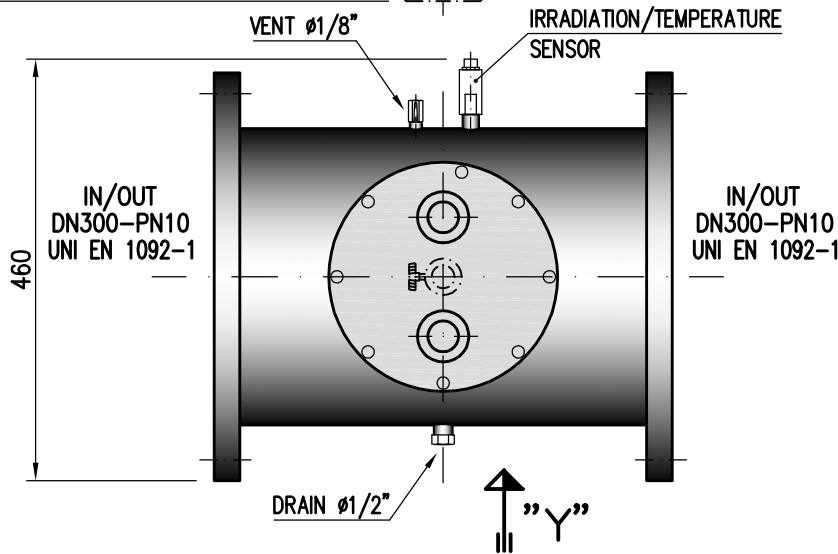
— THESE OVERALL DIMENSIONS CAN CHANGE A LITTLE BECAUSE OF THE CONSTRUCTIVE TOLERANCES AND THE ASSEMBLING OF MECHANICAL COMPONENTS YOU USED.



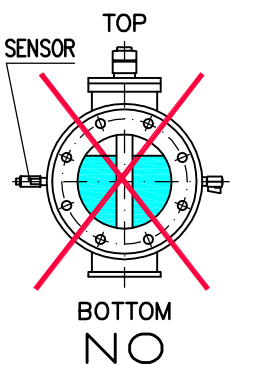
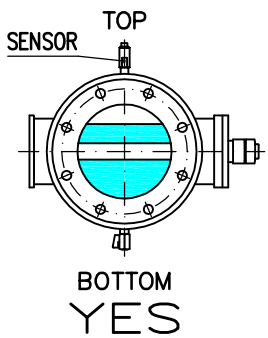
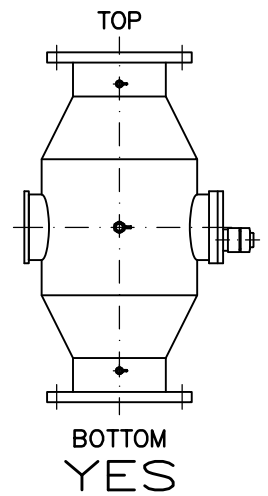
ELECTRICAL PANEL



”Y” VIEW



CORRECT INSTALLATIONS



NOME FILE: UV SMP 70 TC - PR.DWG

A	FIRST ISSUE	29/10/18	SCHENONE	MAZZONE
REVISIONE	DESCRIZIONE	DATA	DISEGNATO	APPROVATO



Societa' Italiana Trattamento Acque
+39 0107406848
info@sitauv.com
www.sitauv.com

MODELLO

SMP 70 TC PR
SMP 70 TC PR (NC)
SMP 70 TC PR (RA)

CODICE

F.to A4 Scala /
Foglio 01 di 01

LA SITA s.r.l. SI RISERVA A TERMINI DI LEGGE LA PROPRIETA' DI QUESTO DISEGNO CON DIVIETO DI RIPRODURLO O DI RENDERLO COMUNQUE NOTO A TERZI O A DITTE CONCORRENTI SENZA LA SUA AUTORIZZAZIONE SCRITTA