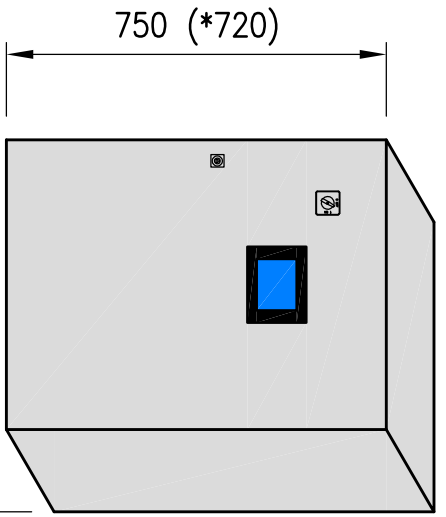
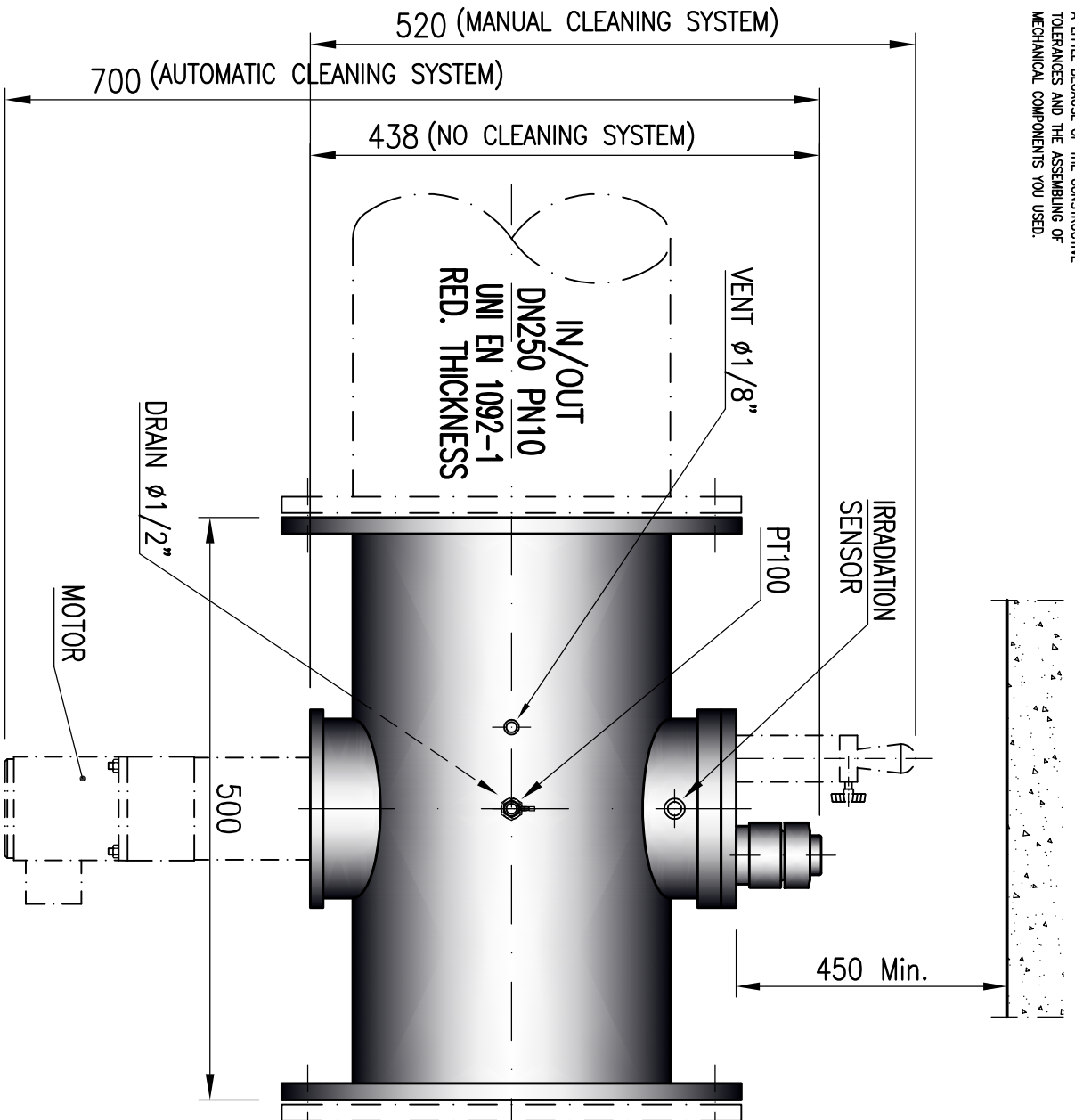


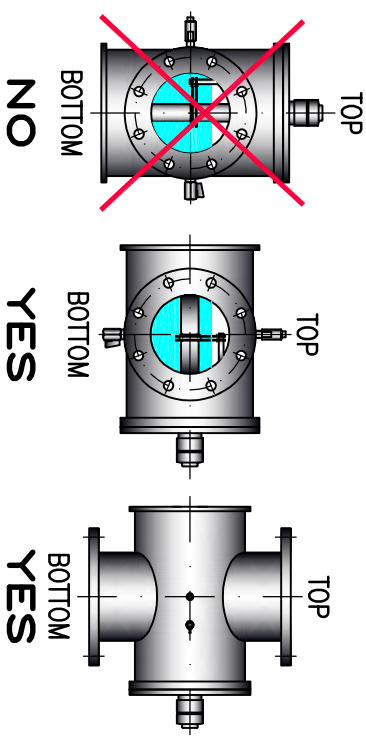
SMP 44 TC

GENERAL INFORMATION	
Max flow rate	290 m ³ /h / 1277 gpm
UVC transmittance	97%- 1 cm
UVC dose	600 J/m ² (Dose for combined chlorine reduction)
Water Temperature range	5-50° C
Total consumption	3200 W
Mounting	Horizontal or Vertical (with lamp working in horizontal)
UV REACTOR	
Material	Stainless Steel 316L
Connections	DN 250 PN10 UNI EN 1092-1 PN 10 red. thickness (other on request)
Total Volume	20 liters
Total Weight	30 Kg
Protection class (with automatic cleaning system)	IP65 / NEMA 4x IP54 / NEMA 12
Shape	Cross Flow
Flow direction	Both directions
Quartz sleeve cleaning system:	
Manual Wiper	Standard
Automatic Wiper	(on request)
UV LAMP	
Number	1
Lifespan	10000 hrs
Type	Medium pressure lamps type
UV SENSOR	
Type	UVC selective sensor type MP1128S
Sensor Cable	Shielded cable 10 meters
Body Sensor material	Stainless steel 316L
Chamber Temperature Sensor	PT100
CONTROL PANEL	
TC PLUS	
Material and colour	Painted Steel – RAL 7035 (plastic or SS on request)
Protection class	IP 54 / UL NEMA 12
Rel. humidity	20-95% non-condensing (condensing on request)
Ambient temperature range	5 – 45 °C
Power supply	230 V - 50/60 Hz (other on request)
Lamp cable length	6 m
Monitor display	SITA Touch-Screen (65000 colors)
Multi language display	Yes
Chamber temperature measurement	Yes (°C)
Panel temperature measurement	Yes (°C)
UV irradiance measurement	Yes (% or W/m ²)
UV dose calculation	Optional
Hour meters	For total system life – Resettable for lamp life control
Free contact alarms (max 1.3 A)	
General alarm	Settable contact working
System working	Normally Open (N/O)
High temperature alarm	Normally Open (N/O), panel and reactor, shut off for high temperature
24 V digital outputs	
Low irradiance alarm	Settable value
Lamps off alarm	Yes
Lamps control on/off	Yes
4/20 mA inputs	
Flow and UVT	Yes
4/20 mA outputs	
Chamber: Irradiance and temperature	Yes
Flow-meter signal duplication	Optional
UVT-meter signal duplication	Optional
Remote ON/OFF	Yes (settable contact working)
ON/OFF timer	Yes
Datalog – Events	Yes
Lamp power regulation	Manual or Automatic (dose or flow pacing)
Communication ports (protocols)	CAN, Ethernet, USB, Seriale (Modbus, TCP/IP, CANopen)
Remote access	with specific App or WebGate

NOTE:
 - THESE OVERALL DIMENSIONS CAN CHANGE
 A LITTLE BECAUSE OF THE CONSTRUCTIVE
 TOLERANCES AND THE ASSEMBLING OF
 MECHANICAL COMPONENTS YOU USED.



(*) FOR PLASTIC CABINET



A	FIRST ISSUE	15/03/23	SCHENONE	MAZZONE
REV.	DESCRIPTION	DATE	DREW	APPROVED

sifo S.r.l. Italiana Trattamento Acque
 Via Rivarolo, 61 - 19161 Genova Italy - Tel. 0039-10-7408648 / Fax 0039-10-7408851 email: info@sifou.com

LA SIFA S.R.L. SI RISERVA A TERMINI DI LEGGE LA PROPRIETA' DI QUESTO DISEGNO CON DIVIETO DI RIPRODURLO O DI RENDERSILO COMUNITO' NOSTO A TERZI O A DITTE CONCORRENTI SENZA LA SUA AUTORIZZAZIONE SCRITTA

TITLE

SMP 44