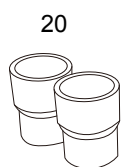
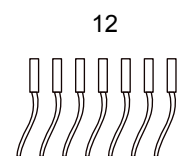
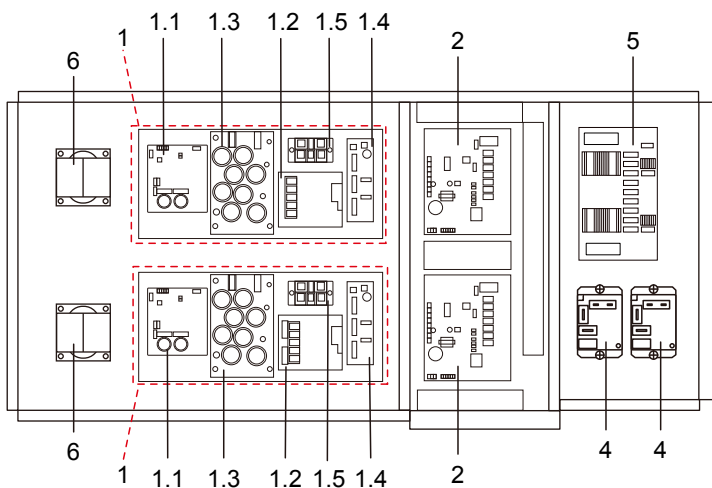
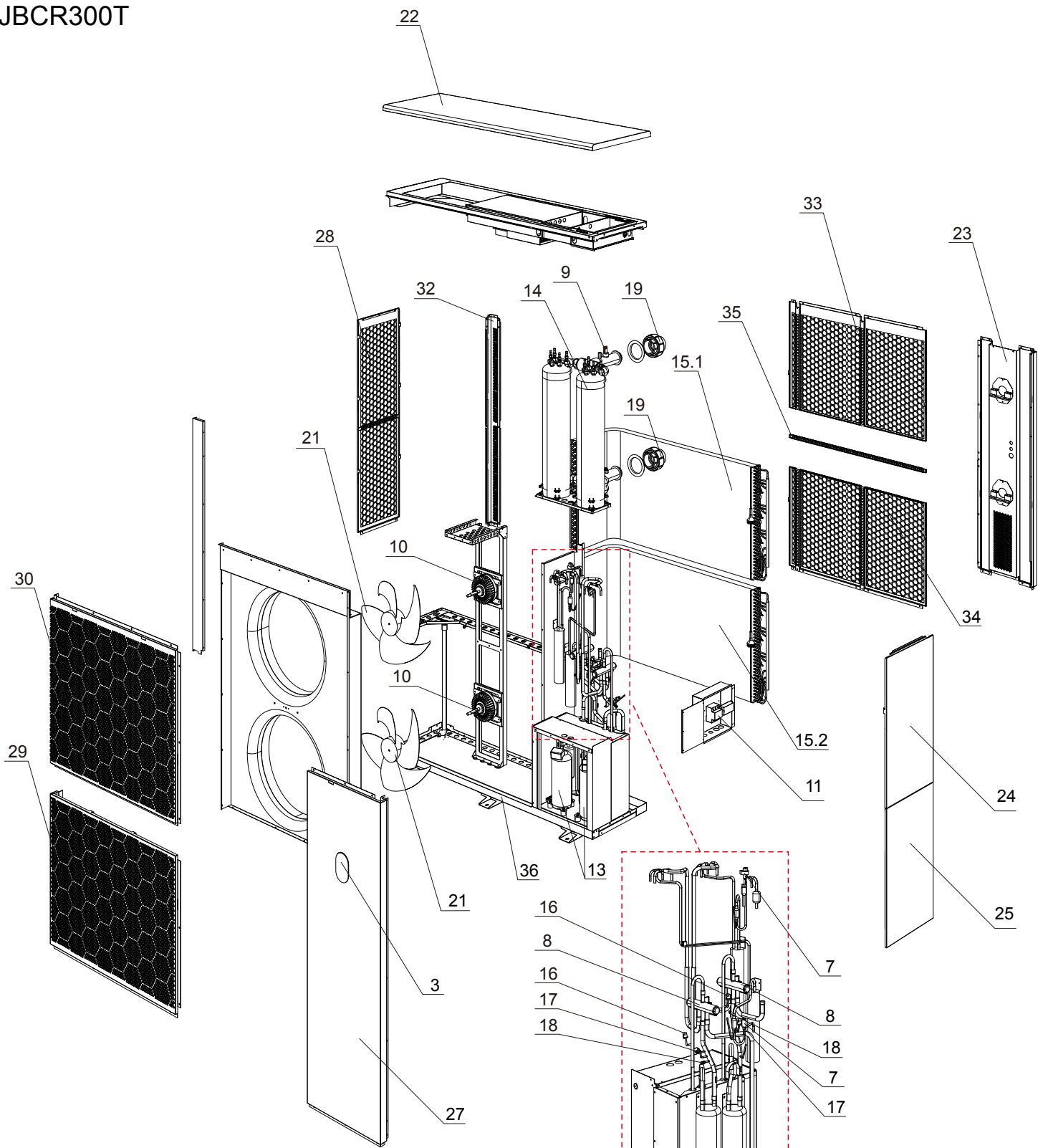


JBCR300T



JBCR300T

Position	Spare parts	Code
1	Inverter board	2005030100011
1.1	Single phase rectifier board	2005030100106
1.2	Compressor board	2005030100041
1.3	Capacitor plate	2005030100042
1.4	Current detector	2005030100043
1.5	Three phase rectifier bridge	2005030100045
2	PC board (Heat&Cool)	2005130100132A80
3	Oval touch controller	2005020900010
4	Contactora (3 phase relay)	2005110100002
5	Power filter plate	2005040100013
6	Reactor(big)	1205040400011
7	Electronic expansion valve	2002010200006
8	4-way valve	2002010100012
9	Water flow switch	1204020500005
10	Fan motor	1201020100087
11	Fuse	1205080200008
12	Full set of sensors	2002030200021
13	Compressor	1201010300040
14	Titanium heat exchanger(Heat&Cool)	2001020100148
15.1	Evaporator(Up)	1202010200143
15.2	Evaporator(Down)	1202010200144
16	High pressure protection switch	040050650000
17	Low pressure protection switch	040050150000
18	Low Pressure valve	006080500000
19	Water union	2002040200007
20	Reducer 110mm x 90mm	1220010200142
21	Fan	1220010200109
22	Top cover	1220020103993
23	Back panel	1220020302352
24	Right Up Panel	1220020302353
25	Right Down Panel	1220020302354
26	Left front panel	/
27	Right front panel	1220020302346
28	Left mesh board	1220020302349
29	Lower left front panel	1220020302347
30	Upper left front panel	1220020302348
31	Back mesh board	/
32	Rear pole	1220020103994
33	Upper back mesh board	1220020302350
34	Lower back mesh board	1220020302351
35	Rear crossbar	1220020103995
36	Bottom board	1220020103996